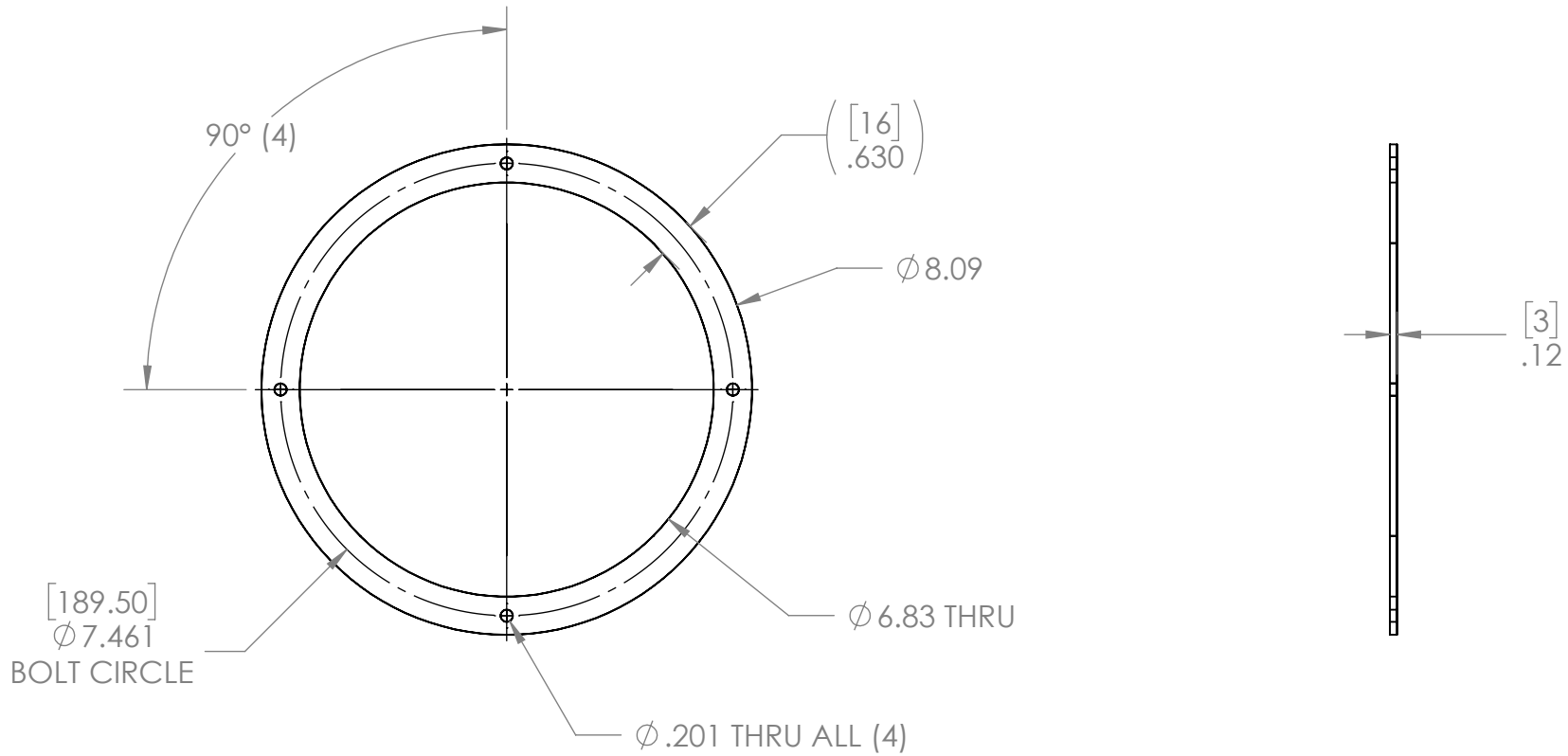



REVISION HISTORY			
REV.	DESCRIPTION	DATE	DRAWN BY
1	ORIGINAL PRINT	8/25/2025	P. YEUNG



*** SEE CAD FOR ADDITIONAL TOOLPATH INFO***

UNLESS OTHERWISE SPECIFIED:		COMMENTS:					
DIMENSIONS ARE IN INCHES		DUAL DIMENSIONS ARE IN MILLIMETERS.					
TOLERANCES: FRACTIONAL ±1/16 ANGULAR: MACH ±1° ANGULAR: BEND ±5° ONE PLACE DECIMAL ±0.1 TWO PLACE DECIMAL ±0.01 THREE PLACE DECIMAL ±0.005 FOUR PLACE DECIMAL ±0.0005		BREAK ALL SHARP EDGES.		TITLE: 6.875IN TURRET SUPPORT RING			
MATERIAL rm-0013 CLEAR PC		CHECKED	NAME NM	DATE 8/25/25	SIZE A	DWG. NO. am-5745	REV 1
FINISH DEBURRED		ENG APPR.		MFG APPR.		SCALE: 1:3	
DO NOT SCALE DRAWING		Q.A.				SHEET 1 OF 1	

